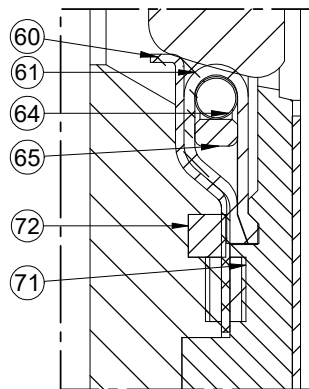



- Design and dimensions are subject to change without notice, except the dimensions established by international standard
- Dimensions in mm

SIZE DN	80 3"	100 4"	125 5"	150 6"	200 8"	250 10"	300 12"	350 14"	400 16"	450 18"	500 20"	600 24"
D	74.6	86.7	120	144.1	193.8	235.8	286	310,8	367	414	466	563
A # 150	50	55.5	60	60	67	72	84	92	102	114	127	154
A # 300	50	55.5	60	60	76	86	94	117	133	149	159	181
B	134	157	186	218	271	324	381	432,8	490	546	597	712
C # 150	43	42,5	40	39,5	39	54	54,4	71	80	80	90	100
C # 300	43	42,5	40	39,5	54	54,4	71	74	76	89,5	100	110,3
E # 150	210	228	268	268	290	347	398	437	476	526	594	648
E # 300	210	228	268	268	317	402	426	507	573	605	640	692
F # 150	131	137	167,5	168	191	238	275	303	337	367	399	473
F # 300	131	137	167,5	168	205	263	295	336	373	405	437	492
G # 150	300		400		GEAR BOX							
G # 300	300		400		GEAR BOX							
K # 150	4	8		12				16		20		
K # 300	8		12		16			20		24		
L # 150	5/8"-11UNC		3/4"-10UNC		7/8"-9UNC		1"-8UNC		1 1/8"-8UNC		1 1/4"	
L # 300	3/4"-10UNC		7/8"-9UNC		1"-8UNC		1 1/8"-8UNC		1 1/4"		1 1/2"	
M # 150	152	190.4	216	241.2	298.4	362	432	476,3	539,8	577,9	635	749,3
M # 300	168	200	235	270	330,2	387,4	451	514,4	571,5	628,6	685	812,8
<b>WEIGHT (Kg)</b>												
WAFFER WR1 #150	11,8	14,3	18	26	33,7	53	80	114	160	210	234	410
WAFFER WR3 #300	11,8	14,3	18	26	41,5	83	108	189	230	290	382	605
LUGGED LD1 #150	14,6	17,5	22,5	35	39	62,3	102	134	175	310	385	470
LUGGED LD3 #300	14,6	17,5	22,5	35	55,5	102	141	228	290	355	460	705

SECCION - SECTION A-A



DETALLE - DETAIL B  
2:1

01	First Issue	J. Marchante	Jordi Font	11-06-2014
Rev.	Descripción / Description	Dibujado / Drawn	Aprobado / Approved	Fecha / Date
 <b>BAC</b> bac valves <span style="float: right;"> <b>Tapis, 126 - P.O. Box, 13 - 17600 FIGUERES (Girona) Spain</b>  <b>Tel.: (34) 972 67 70 52 - Fax: (34) 972 50 90 40</b>  <b>E-mail: technical@bacvalves.com web: www.bacvalves.com</b> </span>				
Título / Title		Dibujado / Drawn		Escala / Scale
PLANO GENERAL CON LISTA DE MATERIALES GENERAL DRAWING WITH MATERIAL LIST VÁLVULA DE MARIPOSA / BUTTERFLY VALVES TIPO / TYPE WAFFER & LUGGED SOFT SEAT #150-300		J. Marchante		
		Aprobado / Approved		Fecha / Date
		Jordi Font		11-06-2014
Plano nº / Drawing nr.				Rev.
DT-GAD-HPBFV-WR_LD-ANSI-SS-GRA-STD-H93				01

99A	WRENCH STUD NUTS	1	CS SERIE KM ZINC PLATED	
99	GLAND STUD NUTS	6	ISO 3506 A2	
98	CUP-POINT-SETSCREW	1	CS SERIE KM ZINC PLATED	
97A	STOOL STUD BOLTS	4	ISO 3506 A2-70	
97	GLAND STUD BOLTS	2	ISO 3506 A2-70	
96	WASHERS	6	ISO 3506 A2	
95	LEVER	1	NODULAR IRON GGG-41	
94	LEVER SPRING	1	SS302	
93	WRENCH SUPPORT	1	NODULAR IRON GGG-41	
92	SEAT RING CARRIER FASTENERS	-	ISO 3506 A4-70	
90	ACTUATOR KEY	1	ASTM A-564M 630	
89	GLAND FOLLOWER SLEEVE	2	PTFE VIRGIN	
81	GLAND PACKING	2	GRAPHITE	✓
85	PLUG THRUST WASHER	1	PTFE VIRGIN	
84	ID PLATE	1	ASTM A240 316	
80	PLUG GASKET	1	GRAPHITE	✓
72	SEAT GASKET	1	PTFE MOD.	✓
71	SEAT GASKETS	2	GRAPHITE	✓
65	SELF CENTERING SPRING	1	ASTM A479 316	✓
64	ELGILOY SPRING	1	ELGILOY	✓
61	PTFE SEAT	1	PTFE MOD.	✓
60	METAL SEAT	1	ASTM B446 N06625	
58	TOP BEARING RING	1	ASTM A479 316	
57	BOTTOM BEARING RING	1	ASTM A479 316	
56	FOLLOWER	1	ASTM A479 316	
55	GLAND PLATE	1	ASTM A351 CF8	
41	SEAT RING CARRIER	1	ASTM A351 CF8M	ASTM A216 WCC
39	BOTTOM SHAFT BEARING	1	SS / PTFE / GRAPHITE / MP6	
38	TOP SHAFT BEARING	1	SS / PTFE / GRAPHITE / MP6	
37	PLUG	1	ASTM A479 316	
35	DISC KEY	1	ASTM A-564M 630	
30	SHAFT	1	ASTM A-564M 630	
20	DISC	1	ASTM A351 CF8M	
19	STOOL	1	ASTM A351 CF8	ASTM A216 WCC
10-11	BODY	1	ASTM A351 CF8M	ASTM A216 WCC

POS.	DENOMINATION	QTY.	MAT. SS VERSION	MAT. CS VERSION	SPARE PARTS
------	--------------	------	-----------------	-----------------	-------------

**STANDARD**

**DESIGN**

**FACE TO FACE**

**FLANGED**

**INT. WETTED PARTS**

**TOP FLANGE**

**PED**

**ANTI-STATIC**

**FIRE-SAFE**

API 609

API 609 cat. B

FOR NPS 5", EN 558-1 serie 49

ASME B16,5 RF SMOOTH FINISH Ra 3.2-6.3 µm

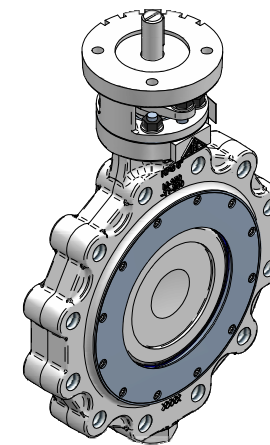
NACE MR0175

ISO 5211

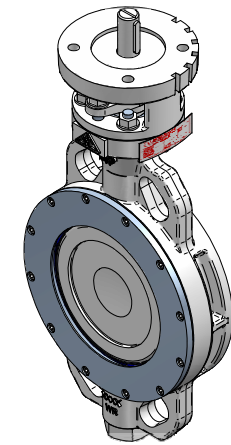
97/23/EC MODULE B+D

ISO 17292


ISO 10497, API 607 5ed.



LUGGED TYPE



WAFER TYPE

01	First Issue	J. Marchante	Jordi Font	11-06-2014
Rev.	Descripción / Description	Dibujado / Drawn	Aprobado / Approved	Fecha / Date
 <b>BAC</b> bac valves		<b>Tapis, 126 - P.O. Box, 13 - 17600 FIGUERES (Girona) Spain</b> <b>Tel.:</b> (34) 972 67 70 52 - <b>Fax:</b> (34) 972 50 90 40 <b>E-mail:</b> technical@bacvalves.com <b>web:</b> www.bacvalves.com		
<b>Título / Title</b> PLANO GENERAL CON LISTA DE MATERIALES GENERAL DRAWING WITH MATERIAL LIST VÁLVULA DE MARIPOSA / BUTTERFLY VALVES TIPO / TYPE WAFER & LUGGED SOFT SEAT #150-300		<b>Dibujado / Drawn</b> J. Marchante		<b>Escala / Scale</b>
		<b>Aprobado / Approved</b> Jordi Font		<b>Fecha / Date</b> 11-06-2014
<b>Plano nº / Drawing nr.</b> DT-GAD-HPBFV-WR_LD-ANSI-SS-GRA-STD-H93		<b>Rev.</b> 01		